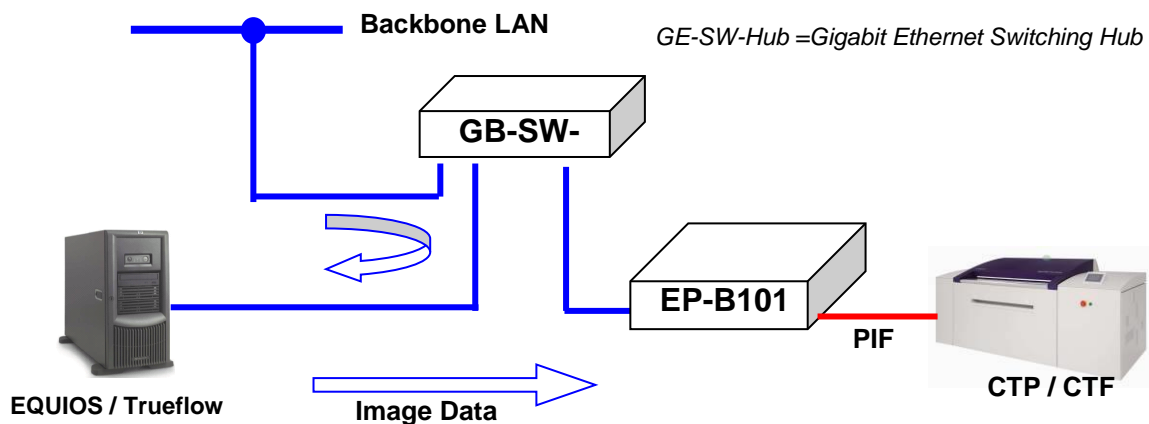


1. Product overview

Currently most SCREEN CTP's are directly connected to the workflow computer by PIF interface, which is a fast and reliable connection. However the Ethernet speeds have grown over the year and the Gigabit Ethernet now also has sufficient capacity for data transfer to CTP. With this knowledge, SCREEN developed a PIF Ethernet Converter Box, called EP-B101, to allow for greater flexibility in configuration layouts. EP-B101 will be connected via Gigabit Ethernet (1000Mbps, Full-Duplex) to the PC on one side, and through PIF to the CTP on the other. The EP-B101 enables to output from a workflow to a CTP, similar to outputting from a PC to a network printer.

Case example (Basic Connection)



2. Features and Benefits

- More flexibility in configuration layouts
 - Up to 100m distance possible between workflow and CTP (Ethernet specification)
- Support of multi-workflow / multi-CTP configurations
 - Max. up to 3 sets (For 4-set configuration of more, please consult us)
 - Support to connect through Gigabit Ethernet Switching Hub
 - Refer to paragraph 6 -case example-
- EP-B101 can coexist next to existing PIF board

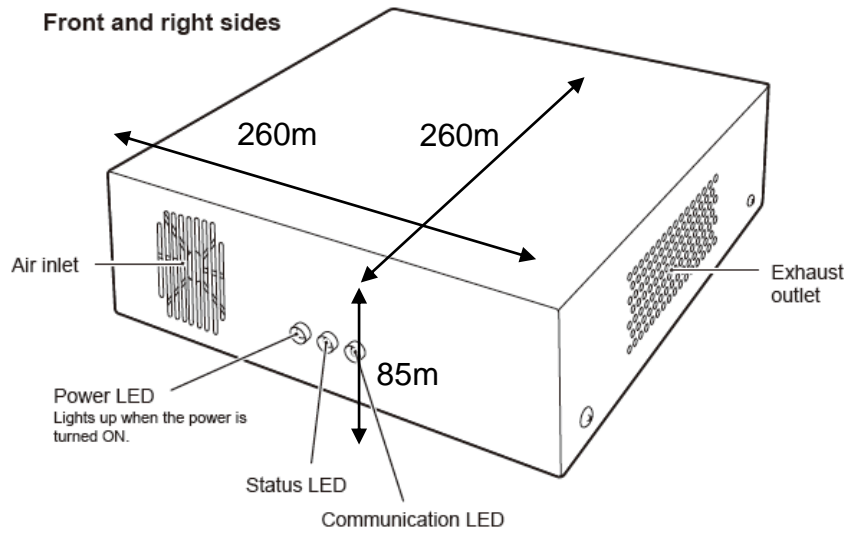
Notes

- Connection through router is not supported
- Wireless connection is not supported
- 10Base-T, 100Base-T switching hub are not supported
- With multi-workflow / multi-CTP configuration, only one Gigabit Ethernet Switching Hub must be used

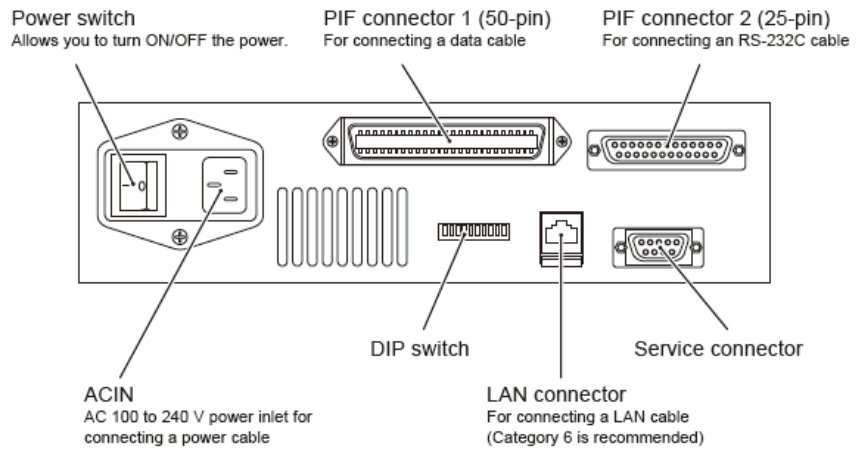
Notes

- When connecting more than 2 switching hubs, the transmission rate will be reduced (0.5MB/sec per Hub). Please consult with your network specialist in such case
- Multi-workflow condition; If one workflow is outputting data to CTP, other workflow cannot output simultaneous and it displays the message (continue or cancel). In this situation, manual operation is required.)
- EQUIOS and Trueflow may require a patch
- Operation conditions and limitations depend on workflow
- Ethernet cable is not included

3. External Design;



Rear side



4. Basic Specifications of EP CONVERTER (EP-B101)

Items	Specifications	Remarks
Product Name	EP CONVERTER	Described on Product Panel
Product ID	EP-B101	Described on Product Panel
LAN (input)	Giga-bit Ethernet (RJ-45) << requires 1000Mbps and Full-duplex >>	CRC function. (Error Check) Authentication function (when connect WF/RIP)
PIF (output)	S-PIF / F-PIF / PIF	Max 32MByte/sec (S-PIF)
TCP port	50144: for commands of PIF 50145: For PIF image data 50146: TELNET 50147: HTTP	
Data Buffer Capacity	S-PIF; 8,000 lines F-PIF; 4,000 lines N-PIF; 2,000 lines Depending on PIF type and pixel of main direction, capacity may change.	Data receiving buffer; 64K Byte Line buffer; 256 - 64M Byte Data transfer buffer; 64K Byte
Connection- compatible CTP/CTF	PT-R4300E/S PT-R8300E/S, N-E/S PT-R8600E/S/Z, N-E/S/Z, SL, M-E/S PT-R8800E/S/Z/ZX, N-E/S/Z/ZX PT-R8900E/S/Z PT-R16000II, 24/36/40000, 48000 PT-R FX870II, 1200, 1524 DT-R6120, PF-R2055, FT-R5055/35 PT-R6600(*2), PT-RN2000(*2)	
Connection- compatible WF/RIP	EQUIOS-PTR, TrueflowSE Ver7.3 Trueflow3 DTC, HQ-RIP	*1)
Connection	Between WF/RIP and CTP/CTF, via Gigabit Ethernet Switching Hub	Impossible to use the 2'nd Ethernet port with PC
Outer Dimensions	260(W)×260(D)×85(H), 3.0kg (except projects)	Can be mounted on side panel of CTP by magnet (included) Without magnet, it can be on the floor on its rubber feet.
Others	DIP SW for maintenance (8bit) Indicator (3 LED)	
Power Requirements	AC single phase 100-240V 50/60Hz	
Environment (running)	Temperature: 18 – 28 degree Humidity: 50 – 70 % (no condensation)	
Environment (storage)	Temperature: 0 – 50 degree Humidity: 30 – 90 % (no condensation)	
Accessories	PIF cable (Data cable, RS232C cable), User manual	Length of included PIF cable is 2m. Note) Ethernet and Power cable are not included

Note 1) Supported WF/RIP versions

- EQUIOS-PTR Ver1.07 EQ718 or later
- TrueflowSE Ver7.3 TF324 or later
- Trueflow3 DTC Ver4.01 TD112 or later
- HQ-RIP

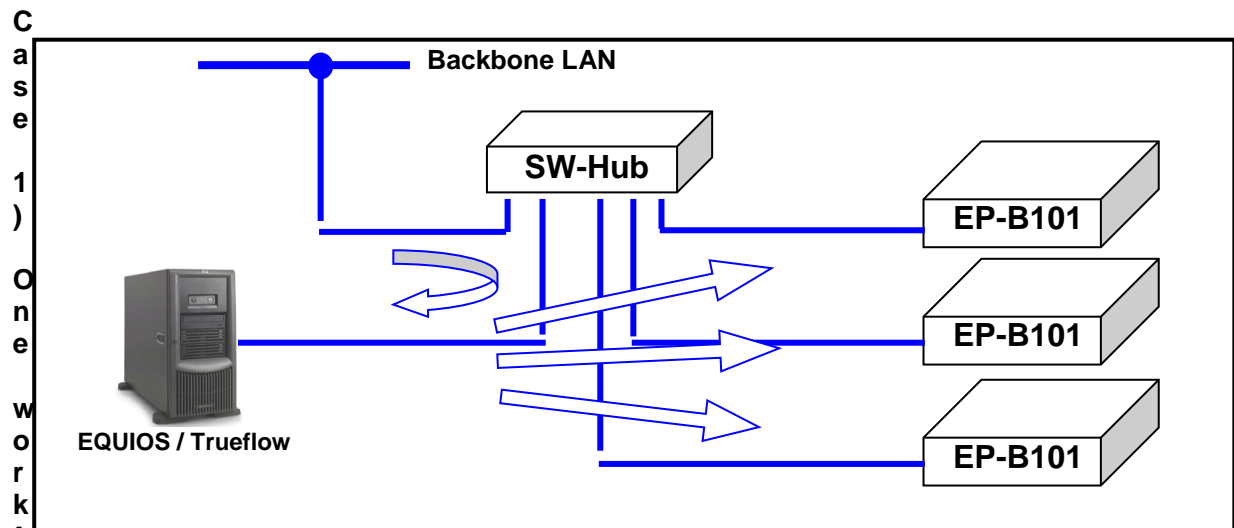
Note2) PT-R6600 and PT-RN2000 support is under evaluation

5. Applicable Standard

	EU
Safety Regulations	-EN60950-1
EMC	[Emission] -EN55022 ClassA -EN61000-3-2 -EN61000-3-3 [Immunity] -EN55024 -EN61000-6-2
Legislative	-EMC command -WEEE/RoHS

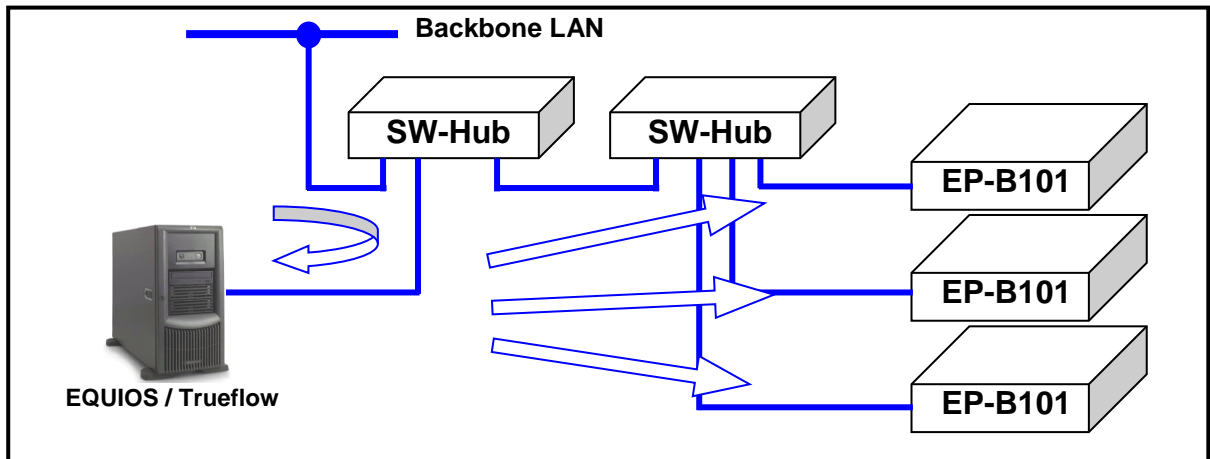
6. Case examples

Note) Following case example shows with EQUIOS-PTR, Trueflow and DTC system.

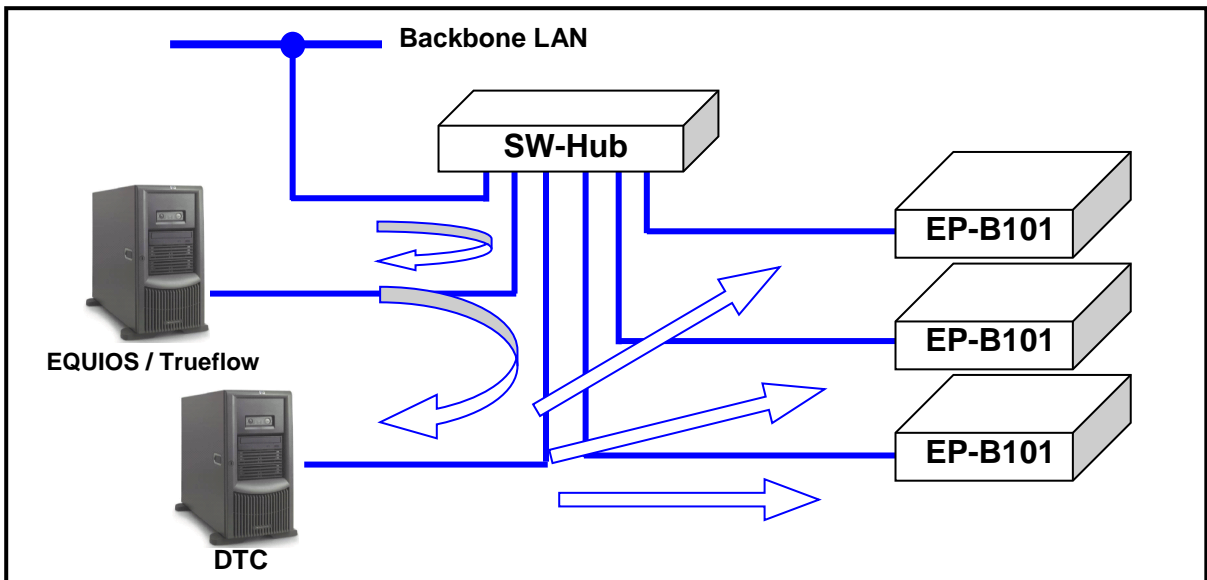


low to multi CTP/CTF

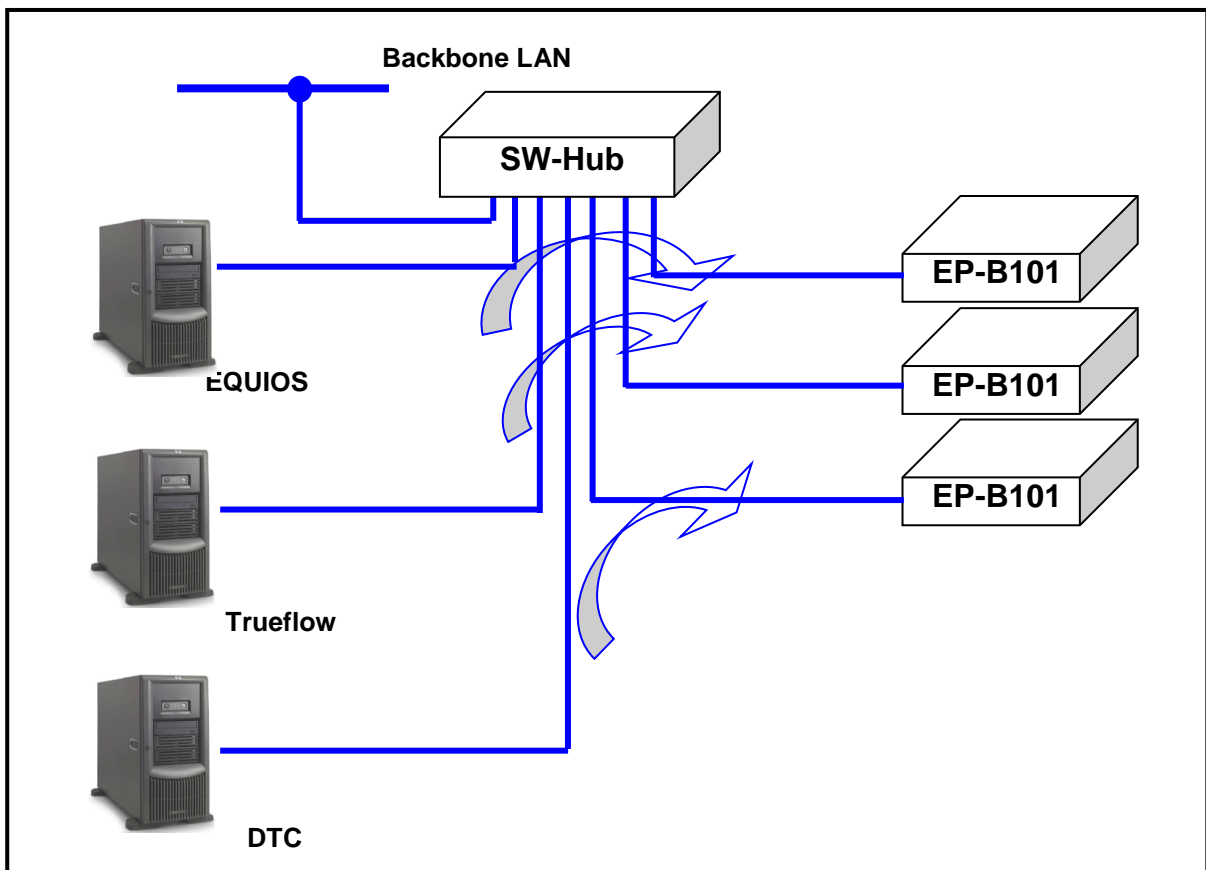
Case 2) One workflow to multi CTP/CTF, via Two-tier Switching Hub.



Case 3) One DTC to multi CTP/CTF.



Case 4) Multi workflow to multi CTP/CTF.



Note: In case of multi workflow & multi CTP/CTF condition, SCREEN WF/RIP may have limitations. For details, please refer to the information of each WF/RIP.